

UNDERWATER LED LIGHTS

SCM-4 Series

• 4 LEDs • 1,600 Lumens • 17W



DESCRIPTION

The SCM-4 underwater light provides your vessel 17 watts of intense LED lighting. The SCM-4's low profile design allows for many mounting locations. 5 different single color options to chose from. The unique stainless steel housing compliments the look of any trailer or lift kept boat.

FEATURES

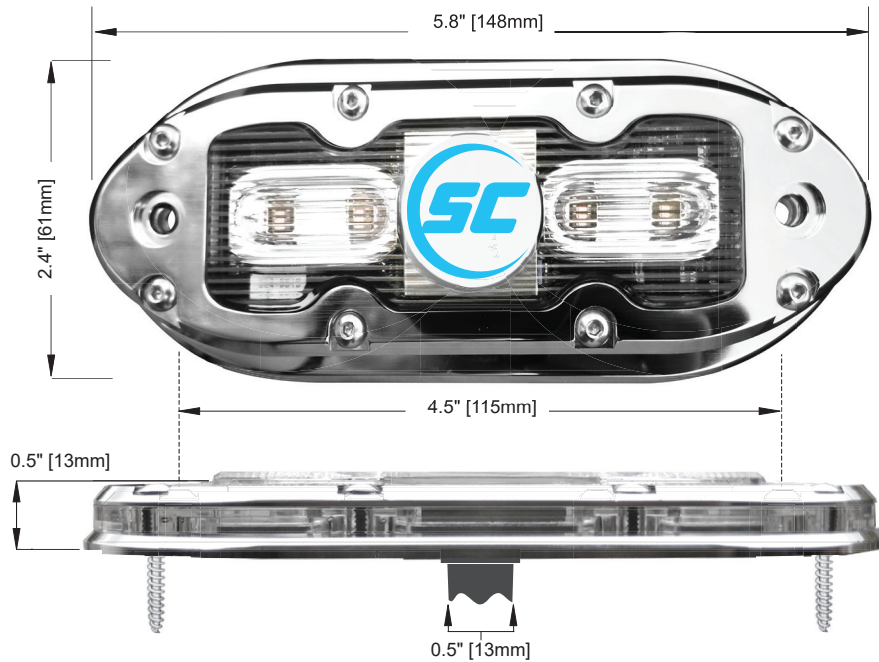
- Proprietary clear-gel-filled design, injected through entire unit – eliminates condensation and/or water intrusion under stress
- Tough, polycarbonate lens
- Passivated stainless steel 316 material provides a durable corrosion resistant housing
- Transient surge and reverse polarity protection – dramatically prolongs unit life
- Thermal throttling technology – enables safe operation even out of water

SPECIFICATIONS

- Up to 1,600 lumens
- 120 degree beam angle
- 17 watts power draw
- 1.4 amps operating current draw @ 12 volts
- 10-30 volts input
- 5.8" (148 mm) x 2.4"(61mm) x 0.5" (13mm)
- IP68 fully submersible waterproof design
- 4 single color LEDs

INCLUDES

- Lighting unit
- 20' (6 m) submersible-grade cable
- 2 SS316 1" #8 PH screws
- Standard 2 year warranty



SCM-4 SERIES LIGHT COLOR MODELS					
	BIMINI BLUE	ULTRA BLUE	AQUA GREEN	COOL RED	GREAT WHITE
MODEL #	SCM-4-BB-20	SCM-4-UB-20	SCM-4-AG-20	SCM-4-CR-20	SCM-4-GW-20
BADGE IDENTIFIER					



Designed & Manufactured in Clearwater, FL
© 2020 Shadow-Caster® LEDs. All Right Reserved.

Shadow-Caster® LED Lighting | 2060 Calumet Street | Clearwater, FL 33765
p: +1 727.474.2877 e: info@shadow-caster.com w: shadow-caster.com